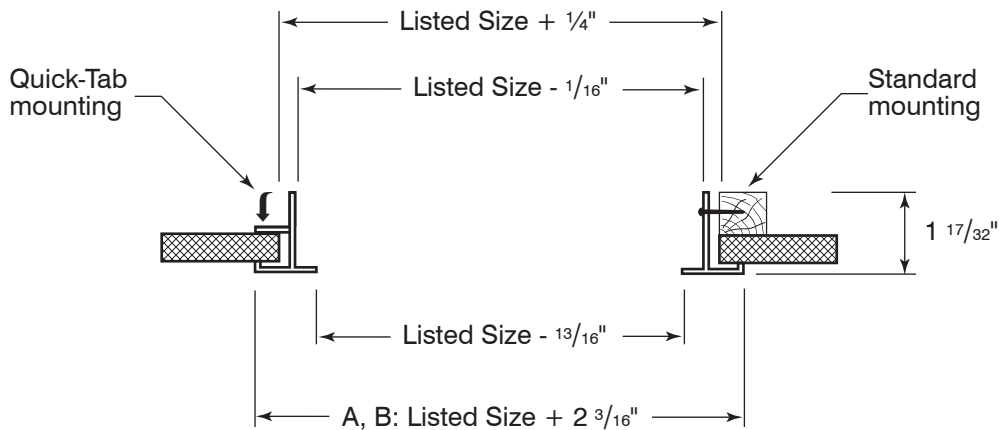
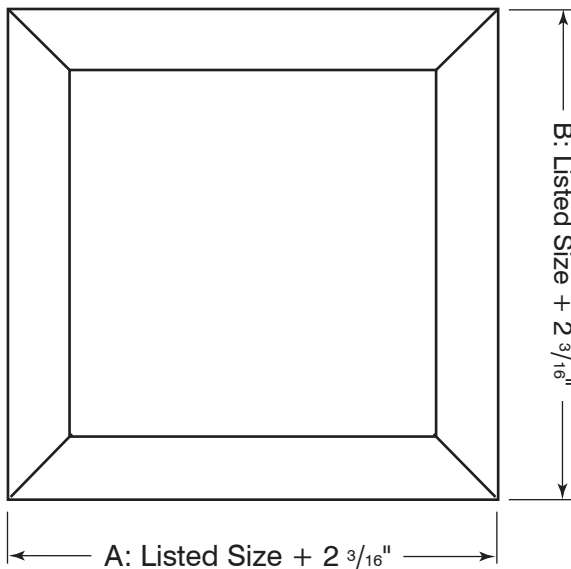
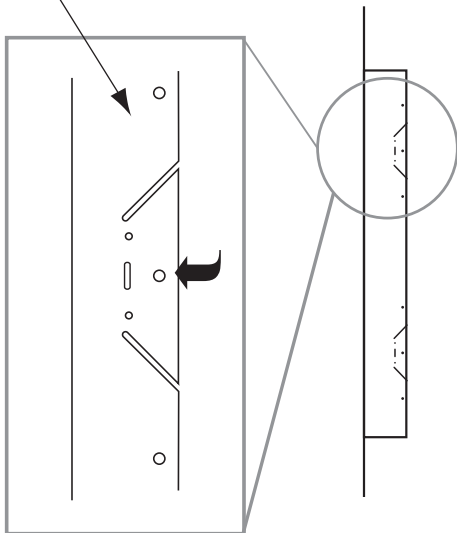


## Plaster And Drywall Frame

**Material:** All aluminium construction.



**Practical Feature:**  
Depress quick-tabs to sandwich drywall



✓	Model #	Face Dim. A x B
	PF 1212	14 1/16" x 14 1/16" (355 x 355 mm)
	PF 1224	14 1/16" x 26 3/16" (355 x 655 mm)
	PF 2424	26 3/16" x 26 3/16" (655 x 655 mm)
	PF 4824	50 1/16" x 26 3/16" (1295 x 655 mm)

Finish	
<input type="checkbox"/> /w White (default)	<input type="checkbox"/> Custom _____ (please specify)



Schedule type: \_\_\_\_\_

Job: \_\_\_\_\_

Architect: \_\_\_\_\_

Engineer: \_\_\_\_\_

Contractor: \_\_\_\_\_