

## Perforated Face Return Diffuser with Molded Fiberglass Back Panel Fixed face

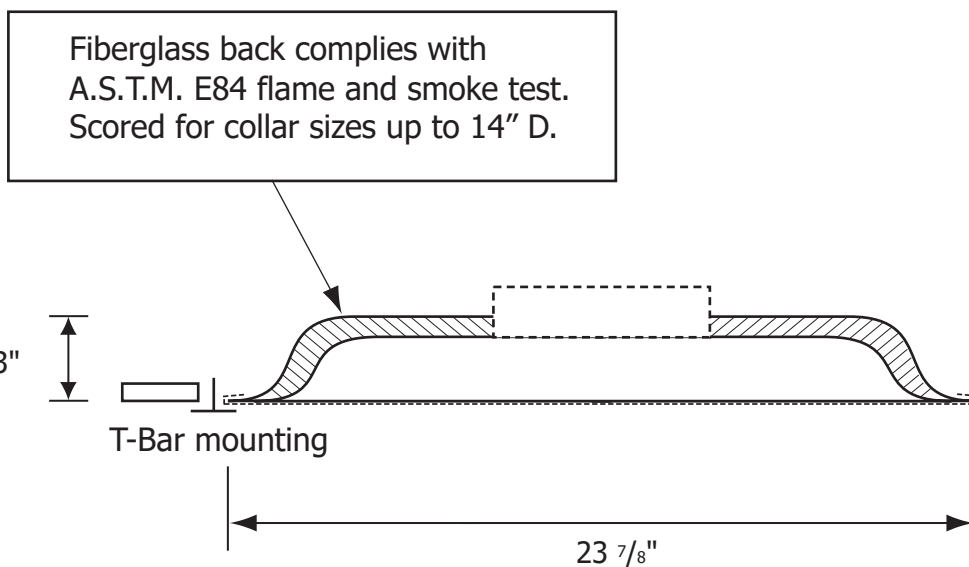

**PRI**

**Material:** Molded fiberglass back with aluminum foil vapor barrier scored for 6" to 14" D. Steel perforated face with 3/16" diam. holes on 1/4" staggered centers, affords 53% free area.

**Finish:** Powder paint coating - white.

**Mounting:** Lay-in T-bar ceiling.

**Insulation:** R6 Molded Fiberglass.



Finish	
<input type="checkbox"/> /W White <small>(default)</small>	<input type="checkbox"/> Custom _____ <small>(please specify)</small>



Schedule type: \_\_\_\_\_

Job: \_\_\_\_\_

Architect: \_\_\_\_\_

Engineer: \_\_\_\_\_

Contractor: \_\_\_\_\_