

## Perforated Face Supply Diffuser with Molded Fiberglass Back Panel Fixed face - baffle deflector

**Material:** Molded fiberglass back with aluminum foil vapor barrier scored for 6" to 14" D. Steel perforated face with 3/16" diam. holes on 1/4" staggered centers, afford s 53% free area.

**Finish:** Powder paint coating - white.

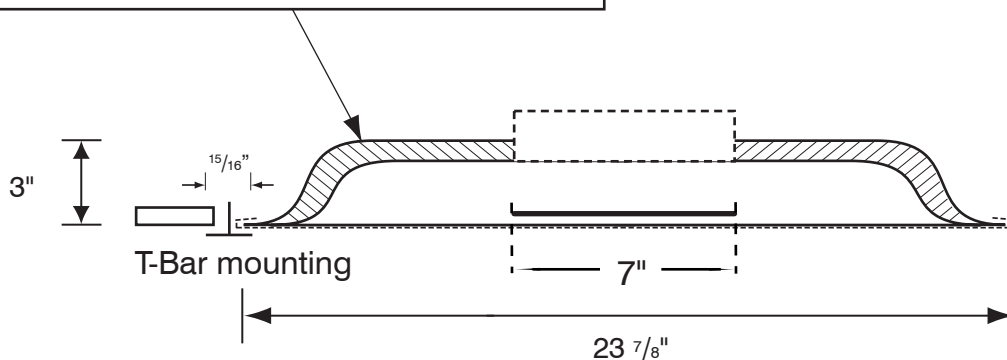
**Air pattern:** Fixed horizontal 360° diffusion.

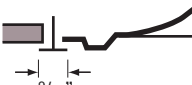
**Mounting:** Lay-in T-bar ceiling.

**Insulation:** R6 Molded Fiberglass.


**PSI**

Fiberglass back complies with A.S.T.M. E84 flame and smoke test. Scored for collar sizes up to 14" D.



Mounting	
<input type="checkbox"/> -NT	Narrow T-bar
	
$\frac{9}{16}$ "	

Finish	
<input type="checkbox"/> /W	White (Default)
<input type="checkbox"/> /C	Custom (Please Specify) _____



Schedule type: \_\_\_\_\_

Job: \_\_\_\_\_

Architect: \_\_\_\_\_

Engineer: \_\_\_\_\_

Contractor: \_\_\_\_\_