

Perforated Face Supply Diffuser with Molded Fiberglass Back Panel Fixed face - directional louvers deflector


PSIL

Material: Molded fiberglass back with aluminum foil vapor barrier scored for 6" to 14" D. Steel perforated face with 3/16" diam. holes on 1/4" staggered centers, afford 53% free area.

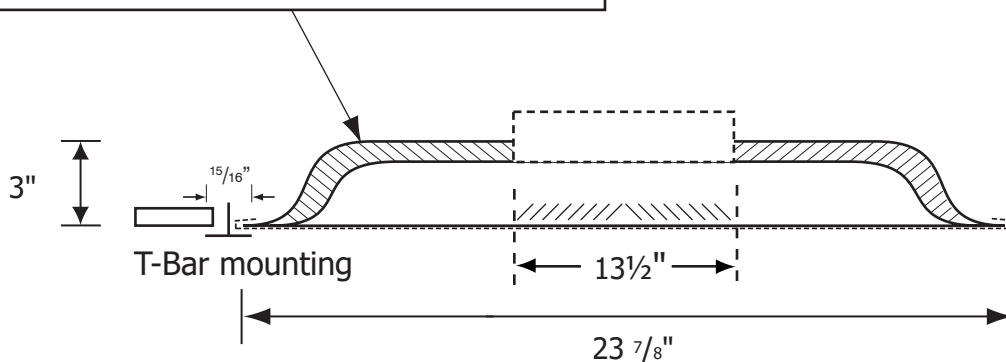
Finish: Powder paint coating - white.

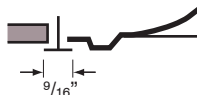
Air pattern: Fixed horizontal 360° diffusion.

Mounting: Lay-in T-bar ceiling .

Insulation: R6 Molded Fiberglass.

Fiberglass back complies with A.S.T.M. E84 flame and smoke test. Scored for collar sizes up to 14" D.



Mounting	
<input type="checkbox"/> -NT	Narrow T-bar
	

Finish	
<input type="checkbox"/> /W	White (Default)
<input type="checkbox"/> /C	Custom (Please Specify) _____



Schedule type: _____

Job: _____

Architect: _____

Engineer: _____

Contractor: _____