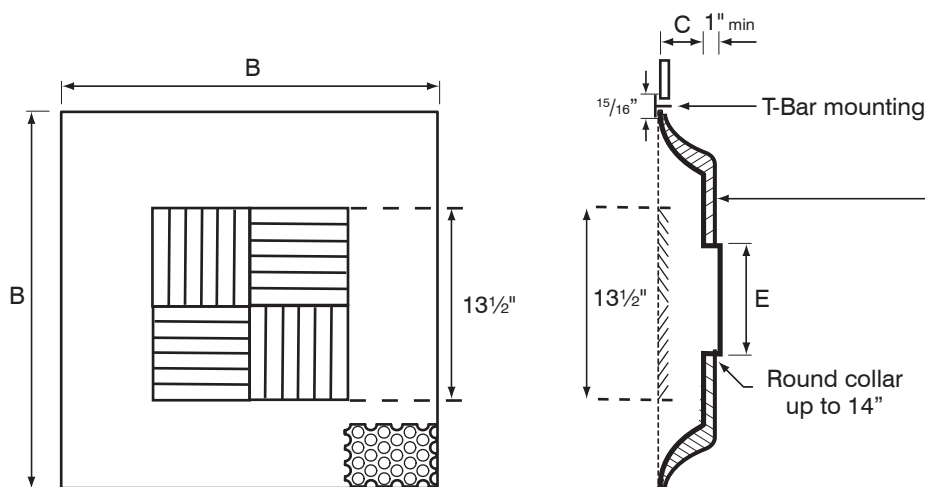
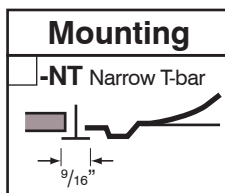


Perforated Face Supply Diffuser Fixed face - directional louvers deflectors

- Material:** Stamped heavy gauge steel back panel.
Coated steel perforated face with 3/16" diam. round holes on 1/4" staggered centers, affords 53% free area.
- Finish:** Powder paint coating - white.
- Air pattern:** Fixed horizontal 360° diffusion.
- Mounting:** Lay-in T-bar ceiling.


PSML


Optional fiberglass insulation on back panel, complies with A.S.T.M. E84 flame and smoke test. (Available only on models with 24" x 24" face)

 R4
 R6


Finish

/W White (Default) /C Custom (Please Specify)



✓	Model #	Duct Size	E	Face Dim B x B	C
	PSML 2406	6	5 7/8"	23 7/8" x 23 7/8"	2 7/8"
	PSML 2408	8	7 7/8"	23 7/8" x 23 7/8"	2 7/8"
	PSML 2410	10	9 7/8"	23 7/8" x 23 7/8"	2 7/8"
	PSML 2412	12	11 7/8"	23 7/8" x 23 7/8"	2 7/8"
	PSML 2414	14	13 7/8"	23 7/8" x 23 7/8"	2 7/8"

Schedule type: _____

Job: _____

Architect: _____

Engineer: _____

Contractor: _____